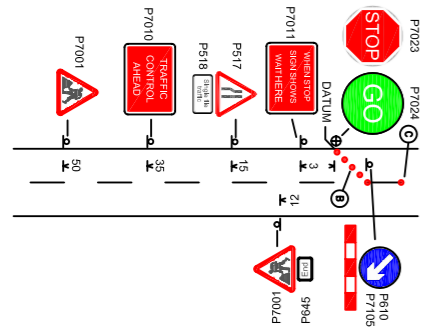
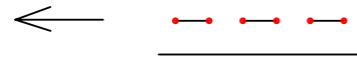
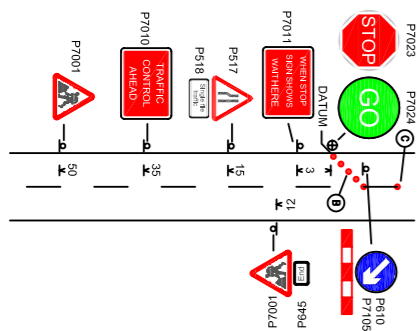


How to create a STOP/GO layout on a 30mph road

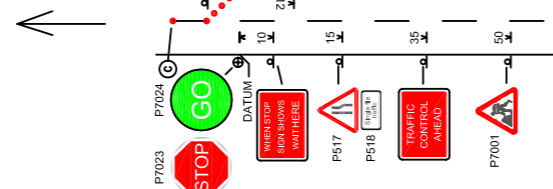
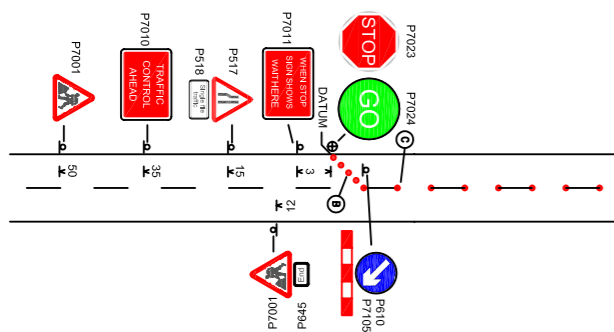
1 From the extensive 2 Lane Layout Library Insert an approach layout



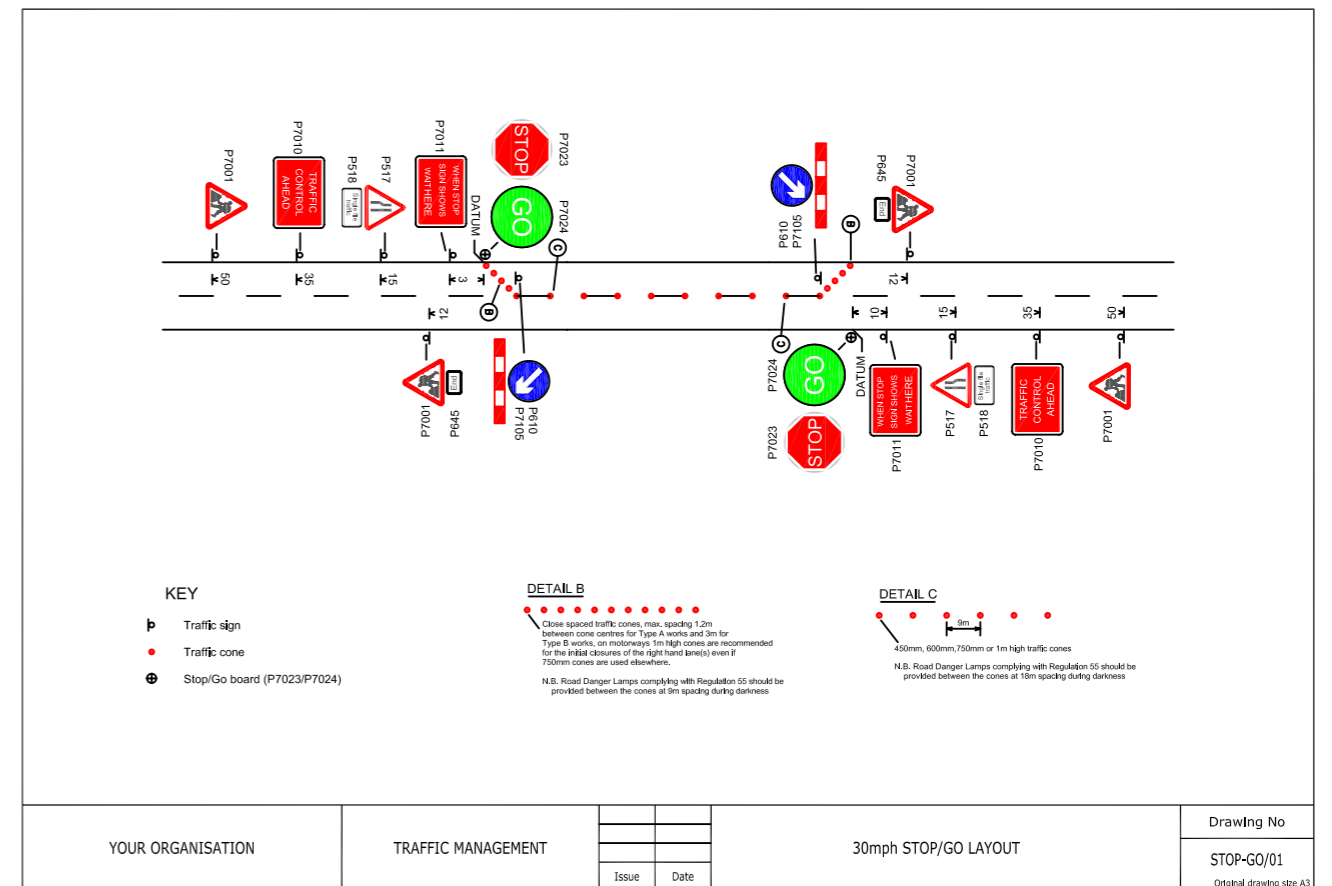
2 Add straight coning past site



3 Add other approach to site



4 Add drawing frame, key and Chapter 8 details - finished!



CREATING SCHEMATICS IS A BREEEEZE IN CONE 7

You could of course now import an OS Map and position the signs and coning in - situ on top of the map

CONE - DESIGN IT FAST!